

Part Number: 9480222002

80 PLANAR E CORE 18/4/10-80

Planar EE and EI cores, with their low profile are suitable for board level installation allowing assembly without the need for plastic coilformers and can also allow windings integrated into multi-level PCBs. Planar ER cores with their low mass and low profile are suitable for Surface Mount installations in low power filter and transformer applications.

-Planar EE, ER and EI cores can be supplied with the center post gapped to a mechanical dimension, or an A_L value.

[Catalog Drawing](#)
[3D Model](#)

Weight: 2.94 (g)

Dim	mm	mm tol	nominal inch	inch misc.
A	18.0	± 0.35	0.709	-
B	4.00	± 0.1	.157	-
C	10.00	± 0.2	0.394	-
D	2.00	± 0.2	0.79	-
E	14.00	± 0.3	0.551	-
F	4.00	± 0.1	0.157	-

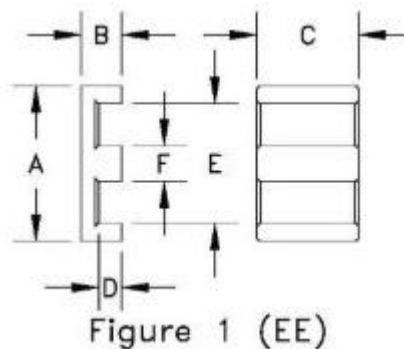


Chart Legend

$\Sigma l/A$: Core Constant, l_e : Effective Path Length, A_e : Effective Cross-Sectional Area, V_e : Effective Core Volume

A_L : Inductance Factor 

Explanation of Part Numbers: Digits 1 & 2 = product class and 3 & 4 = material grade.

Electrical Properties	
A_L (nH)	1090 +/- 25%
A_e (cm ²)	39.5

Electrical Properties	
$\Sigma l/A(\text{cm}^{-1})$	0.615
$l_e(\text{cm})$	24.3
$V_e(\text{cm}^3)$	960
$A_{\text{min}}(\text{cm}^2)$.709

A_L value is measured at 1 kHz, $B < 10$ gauss.

9480222002 is matted with [9380060002](#).

Fair-Rite Products Corp. • One Commercial Row, Wallkill, New York 12589-0288
888-324-7748 • 845-895-2055 • Fax: 845-895-2629 • ferrites@fair-rite.com • www.fair-rite.com